

A faint, light-colored line drawing of exit hardware is visible in the background. It shows a horizontal trim lever set on the left and a vertical exit device on the right, both rendered in a minimalist, wireframe style.

1000, 3000 AND 5000 SERIES

EXIT DEVICES & TRIM LEVER SETS

1000 SERIES



- For use in institutions, schools, universities, and commercial buildings or where heavy-duty reliable operation is required
- Rail assemblies are heavy duty Extruded aluminum construction rail, cast chassis with multiple mounting holes, with stainless steel push pad and caps made of stainless steel
- Full size cast chassis of non-ferrous cast (*Panic Grade*) and steel construction for (*Fire Grade*) with “Architectural Design” allows for through-bolt of trim and retrofit of device to popular footprints
- Fits 25" to 36" door (*model available to fit up to 48" door*). Non-handed for use on right or left opening doors, for vertical rod 36" x 84" or 48" x 96" available
- ANSI A156.3, Grade 1 heavy duty exit device in surface mountrim and vertical rod designs
- Can be used with various trim including rim cylinder with pull handle, Cylindrical keyed lever, escutcheon keyed lever, escutcheon keyed thumb-latch or door pull, passage or dummy
- Includes complete installation kit; latch-bolt strike, shims, fasteners, strike plates, mounting templates and easy instructions
- 1100 Series Vertical Rod devices available for doors 36" x 84" or 48" x 96" latch bolt with 3/4" throw with dead-latch feature
- For Doors 1 3/4" to 2 1/4" thick with 3 3/4" minimum stile
- *Coming soon:* Concealed Vertical Rod for metal & wood

PRODUCT #	DESCRIPTION
1000-32D	Grade 1, Stainless Steel Exit Device for 25" – 36" Wide
1100VR-32D	Grade 1, Stainless Steel Vertical Rod Exit Device for 25" – 36" Wide

Note: All may be used on 48" Doors. Additional Tech Data Sheet available for 1100VR Series. We recommend through bolts for light weight hollow metal doors, to reduce flexing of door skins.



KEYINCODE LLC
55 Concord St, Unit 101, North Reading, MA 01864, USA

Tel: 978-207-0269
Fax: 978-207-1867

Email: sales@keyincode.com
Web: keyincode.com

3000 SERIES



- For use on hollow metal or wood doors popular for utility and delivery doors
- Rail assemblies are heavy gauge steel, cast chassis with multiple mounting holes (*through-bolts to and through trim*)
- Cast chassis of non-ferrous cast (*Panic Grade*) and steel construction for (*Fire Grade*) with "Architectural Design" allows for through-bolt of trim and retrofit of device
- Fits 25" to 36" door (*model available to fit up to 48" door*). Non-handed for use on right or left opening doors, for vertical rod 36" x 84" or 48" x 96" available
- Can be used with various trim including rim cylinder with pull handle, Cylindrical keyed lever, escutcheon keyed lever, escutcheon keyed thumb-latch or door pull, passage or dummy
- Includes complete installation kit; latch-bolt strike, shims, fasteners, strike plates, mounting templates and easy instructions
- ANSI A156.3, Grade 1 exit device available in surface mount rim and vertical rod designs
- 3100 Series Vertical Rod devices available for doors 36" x 84" or 48" x 96" Latch bolt with 3/4" throw with dead-latch feature
- For Doors 1 3/4" standard
- Alarm Kit available

PRODUCT #	DESCRIPTION
3000AL	Grade 1, Aluminum Finish Adjustable for 25" – 36" Wide
3000DUR	Grade 1, Duranodic Finish Adjustable for 25" – 36" Wide Doors
3100AL	Vertical Rod, Grade 1, Aluminum Finish Adj for 25" – 36" Wide

Note: All may be used on 48" Doors. Additional Tech Data Sheet available for 3100AL Series. We recommend through bolts for light weight hollow metal doors, to reduce flexing of door skins.



KEYINCODE LLC
55 Concord St, Unit 101, North Reading, MA 01864, USA

Tel: 978-207-0269
Fax: 978-207-1867

Email: sales@keyincode.com
Web: keyincode.com

5000 SERIES



- Universal mount for use in institutions, schools, universities, and commercial buildings or where reliable operation is needed
- Rail assemblies are heavy gauge steel, stamped steel chassis with multiple mounting holes for easy installation
- Full size steel (*Panic Grade*) and steel construction for (Fire Grade) allows for through-bolt of trim and retrofit of device to popular footprint
- Fits 25" to 36" door (*model available to fit up to 48" door*). Non-handed for use on right or left opening doors, for vertical rod 36" x 84" or 48" x 96" available
- Can be used with various trim including rim cylinder with pull handle, cylindrical keyed lever, escutcheon keyed lever, escutcheon keyed thumb-latch or door pull, passage or dummy
- Footprint is same as most industry brands. Complete with rim strike latch, shim, fasteners, mounting templates and easy to follow instructions
- Includes complete installation kit; latch-bolt strike, shims, fasteners, strike plates, mounting templates and easy instructions
- ANSI A156.3, Grade 1 exit device available in surface mount rim and vertical rod designs
- 8600 Series Vertical Rod devices available for doors 36" x 84" or 48" x 96" Latch bolt with 3/4" throw with dead-latch feature
- For Doors 1 3/4" standard. Also available 8500 Fire Rated Rim Device
- Alarm Kit available

PRODUCT #	DESCRIPTION
5500AL-UL	Grade 1, Aluminum Finish Exit Device for 25" – 36" Wide
5500DUR-UL	Grade 1, Duranodic Finish Exit Device for 25" – 36" Wide
5500-32D-UL	Grade 1, Stainless Steel Exit Device for 25" – 36" Wide
5600VR-32D-UL	Vertical Rod Exit Device, Grade 1, All Steel Construction for 25" – 36" Wide Doors

Note: All may be used on 48" Doors. Additional Tech Data Sheet available for 5500VR Series. We recommend through bolts for light weight hollow metal doors, to reduce flexing of door skins.



KEYINCODE LLC
55 Concord St, Unit 101, North Reading, MA 01864, USA

Tel: 978-207-0269
Fax: 978-207-1867

Email: sales@keyincode.com
Web: keyincode.com

GLS SERIES



- Product Number KIC9800GLSEO36 32D
- ANSI A156.3, Grade 1
- Added attributes include Rail Assembly extruded aluminum
- Dimensions: 34½" actual length may be cut down 8" to fit doors 28" to 36"
- For wood, metal or aluminium glass doors with 1¾" thickness for single or double door application
- Non-Ferrous chassis (Panic Grade)
- Brass, Bronze or Stainless Steel Cover
- Furnished with wood and machine screws (thrubolts available upon request)
- Reversible non handed
- Stainless Steel ¾" thrubolt
- Dogging feature; allen-type ket furnished standard
- Architectural plated finishes

PRODUCT #	DESCRIPTION
GLS-1000-36-32D	36" Rim Device aluminum extruded rail x stainless steel scalp for narrow stile
GLSCVR-1000-36-32D	36" Concealed Vertical Rod Device aluminum extruded rail x stainless steel scalp for narrow stile

Note: We recommend through bolts for light weight hollow doors, to reduce flexing of door.



KEYINCODE LLC
55 Concord St, Unit 101, North Reading, MA 01864, USA

Tel: 978-207-0269
Fax: 978-207-1867

Email: sales@keyincode.com
Web: keyincode.com

ELECTRONIC TRIM

The KIC exit hardware can be matched with electronic full lever trim; KIC5510PK or KIC5210PK, providing enhanced access control.



KIC5210



KIC5510


THE KIC5210PK ELECTRONIC TRIM

The KIC5210PK is a standard duty ANSI Grade 2 lock. It incorporates electronic and mechanical methods to control access via stainless steel electronic keypad or key.

Programming code levels & capacity:

- 1 Master Code
- 80 User Codes
- 1 Sub Master Code
- 10 one time User Codes

THE KIC5510PK ELECTRONIC TRIM

The KIC5510PK is a Standard duty ANSI Grade 2 lock. As standard it incorporates multiple methods to control access via keypad, phone, card or key with the owner able to select the most appropriate for installation and use. The locks programming features can be managed via the keypad or when paired with a compatible smartphone using the  Connect App. The keypad and linked smartphone can add users of the lock (*phones, codes or cards*) known as clients.

Clients: The lock can store 1 Admin phone, 50 Phone clients, 800 keypad clients or 800 card clients

PROGRAMMING FEATURES

Via Keypad: *Change Master Code *Enter pairing mode *Add/delete Client Code *Add/delete client card *Delete

client phones *Lock down *Set passage mode *Set First Man In (*when set in passage mode lock will remain locked until valid client opens lock and continue in passage mode when FMI is programmed*) *Set dual credential (*lock only opens on presentation of two valid clients*) *Keypad Illumination (*Keypad illuminates on button press or proximity*).

Via App: The K3 Connect App can program all keypad programs but also the following: *Set names for locks *Set Client names *Set Lock parameters e.g. daylight saving, re-lock delay etc Set Client timed access rights day/hour, weekly.

SPECIAL APP FEATURES

Generate **TAD** codes (**Time And Duration**)

TAD codes are one time specific codes that can be generated in the App on phone or device anywhere, without the need to be near the lock. **TAD** codes once generated can be forwarded or 'shared' with engineers or guests who with the onetime **TAD** code gain access within the selected time.

Generate **ATAD** codes (**Auto repeat Time And Duration**)

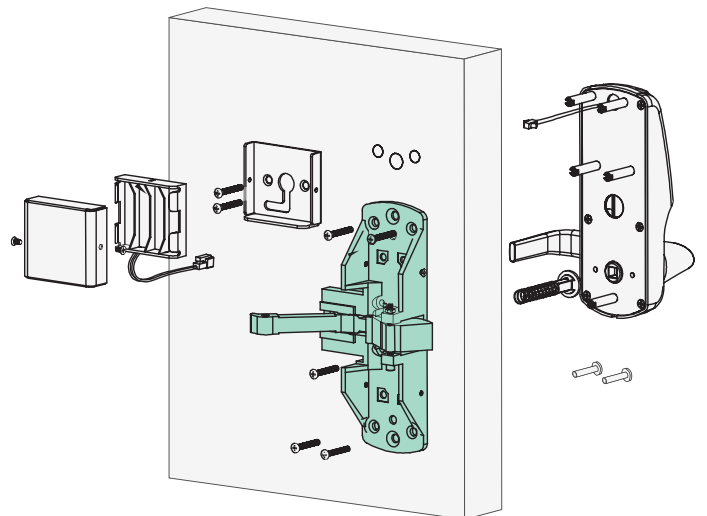
ATAD codes are time specific codes that are automatically generated in the App and issued on a daily or weekly basis up to a maximum of 4 weeks. Useful when managing a group of people who change at short notice or for doors requiring active management eg restrooms in restaurants. **ATAD** codes are issued via single email to person responsible for group or door.

Block **TAD** Codes

TAD codes can be blocked by the Admin phone if required.

View Audit Trail

Audit trail of activity on lock can be viewed and shared.



EXIT TRIMS



**55568586 SERIES
ESCUTCHEON TRIM FOR
5500 RIM, 5600 VERTICAL
ROD, 8500 RIM, 8600
VERTICAL ROD**

PRODUCT #	DESCRIPTION
55568586-ESC-L-ENTRANCE	Entrance Function: Key locks or unlocks trim. ANSI function (63) Classroom function.
55568586-ESC-L-STOREROOM	Storeroom Function: Key retracts latch-bolt, otherwise always locked. ANSI function (04).



**8000 SERIES
TRIM: WORKS
WITH 1000, 3000
& 5500 SERIES
DEVICES**

PRODUCT #	DESCRIPTION
8000/L	Lever Trim fits into 2 1/8" hole, entry function, Key locks or unlocks trim. ANSI function (63) Classroom function.
8000/S	Lever Trim fits into 2 1/8" hole, storeroom function. Install trim with thru-bolts to 3000/7000 Series chassis or with provided back-plate for 5500 and 1000 Series. Key retracts latch-bolt, otherwise always locked. ANSI function (04). 6-pin KIK Cylinder, C Key way.



**10114041 SERIES TRIM FOR
1000 RIM, 1100 VERTICAL
ROD, 4000 FIRE-RATED
RIM, 4100 FIRE-RATED
VERTICAL ROD**

PRODUCT #	DESCRIPTION
10114041-ESC-L-ENTRANCE	Entrance Function: Key locks or unlocks trim. ANSI function (63) Classroom function
10114041-ESC-L-STOREROOM	Storeroom Function: Key retracts latch-bolt, otherwise always locked. ANSI function (04).



**30703171 SERIES TRIM
FOR 3000 RIM, 7000 FIRE-
RATED RIM, 3100 VERTICAL
ROD, AND 7100 FIRE-RATED
VERTICAL ROD SERIES**

PRODUCT #	DESCRIPTION
30703171-ESC-L-ENTRANCE	Entrance Function: Key locks or unlocks trim. ANSI function (63) Classroom function.
30703171-ESC-L-STOREROOM	Storeroom Function: Key retracts latch, otherwise always locked. ANSI function 04.

NOTE: Many trims available, including and not limited to: pull, thumb-piece, passage and dummy (watch for expanded catalog soon)



KEYINCODE LLC
55 Concord St, Unit 101, North Reading, MA 01864, USA

Tel: 978-207-0269
Fax: 978-207-1867

Email: sales@keyincode.com
Web: keyincode.com



KEYINCODE LLC

55 Concord St Unit 101
North Reading, MA 01864, USA

Tel: 978-207-0269 **Email:** sales@keyincode.com
Fax: 978-207-1867 **Web:** keyincode.com