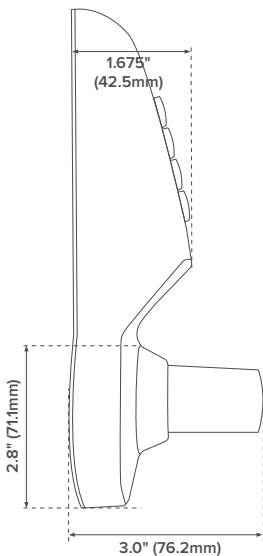
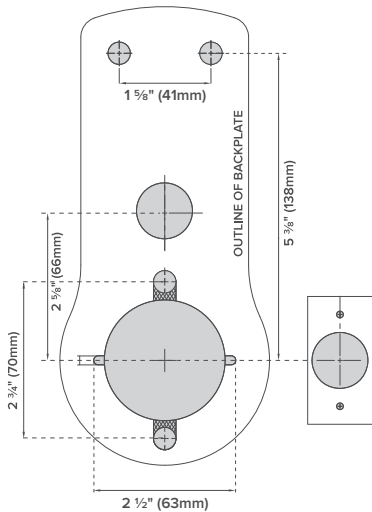
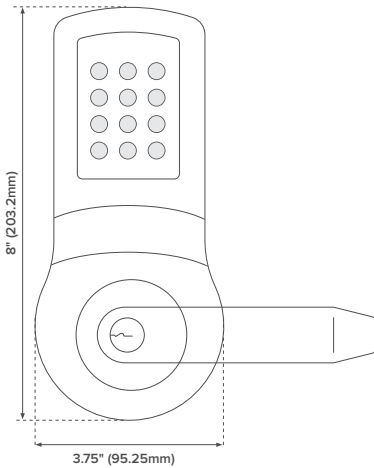


6500 SERIES

Mechanical Specifications



Environment:	For high traffic applications, internal and external use
Exterior Dimensions:	8 (H) x 3 3/4 (W) x 3 (D) in.
Interior Dimensions:	8 (H) x 3 3/4 (W) x 3 (D) in.
Weight:	7.85 lbs.
Backset:	2 3/4 in. (70mm)
Locking Devices:	Cylindrical retractor
Latch Door Prep:	Standard ANSI A115.2 (160 and 161 cutouts)
Strike:	2 3/4" (for 1 3/8" door) and 4 7/8" (for 1 3/4" door) supplied
Construction:	Zinc Alloy, suitable for indoor & outdoor use
Door Thickness:	1 3/8 - 1 7/8 in. (35mm - 48mm)
Door Handing:	Non-handed, field reversible
Batteries:	4 AA
Certifications:	ANSI/BHMA A156.25-2018, Grade 1, ANSI/BHMA A156.2-2017
Warranty:	2 years mechanical, 1 year electrical
Finishes:	Satin Chrome, Matte Black
Cylinder and Keys:	Removable 6-pin Schlage C (SC4 key), kik cylinder, SFIC & LFIC prep available

Locking Device Options

CYLINDRICAL

